



SID_GQD_FDURAND_v_test2.vi
Z:\VLF\LabVIEW\SID_GQD_FDURAND_v_test2.vi
Last modified on 13/03/2021 at 04:57
Printed on 27/03/2021 at 14:33

stop
ARRÊTER

original waveform
filtered waveform

Graphes

Filtered (FFT - (RMS))

Amplitude

Temps

FR filter specifications

Topology: Equi-ripple FIR

Type: Lowpass

#Taps: 50

Lower PB: 100

Upper PB: 0

Lower SB: 200

Upper SB: 0

Amplitude in: 10

Amplitude out: 10

reset filter 2 Day history reset Stop GEOS data import

Input signal

Filtered

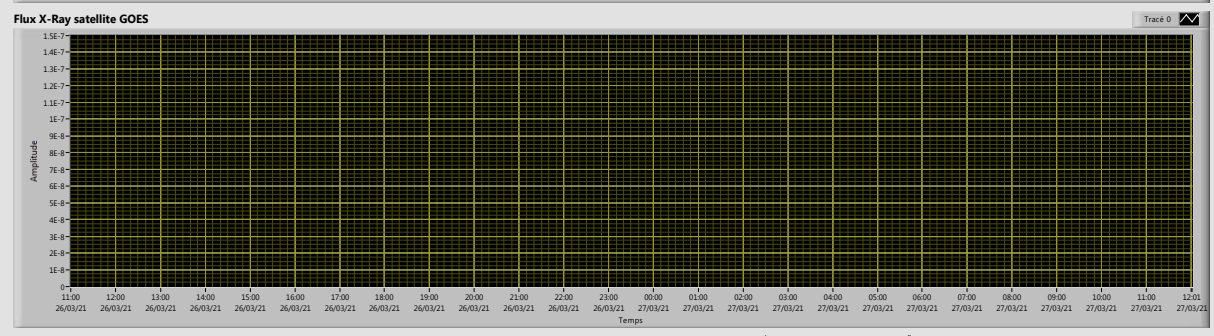
Amplitude

Time

Filtered signal

Amplitude

Time





SID_GQD_FDURAND_v_test2.vi
Z:\VLF\LabVIEW\SID_GQD_FDURAND_v_test2.vi
Last modified on 13/03/2021 at 04:57
Printed on 27/03/2021 at 14:33

Enter number of data record to be read
0

Enter the flux value to be exported
Low value (1)
OFF/ON
High value (2)
OFF/ON

Date format for export
0 0E+0

Json file address (https://mylink_to_the_json_file.json)
[text box]

Enter the export file directory and name as CSV file
[text box]

handle du client en sortie
[button]

RMS value waveform
table with columns t0, Y, 0

DC-RMS Value
0

Header

File content

[Large empty text area for header and file content]

Error information box

etat code
no error 0

source

Error information box

etat code
no error 0

source

file error 2

status code
no error 0

source

file error 3

status code
no error 0

source

Error information box

etat code
no error 0

source

error out 2

status code
no error 0

source

file error 4

status code
no error 0

source



SID_GQD_FDURAND_v_test2.vi
Z:\VLF\LabVIEW\SID_GQD_FDURAND_v_test2.vi
Last modified on 13/03/2021 at 04:57
Printed on 27/03/2021 at 14:33

Close the software 2

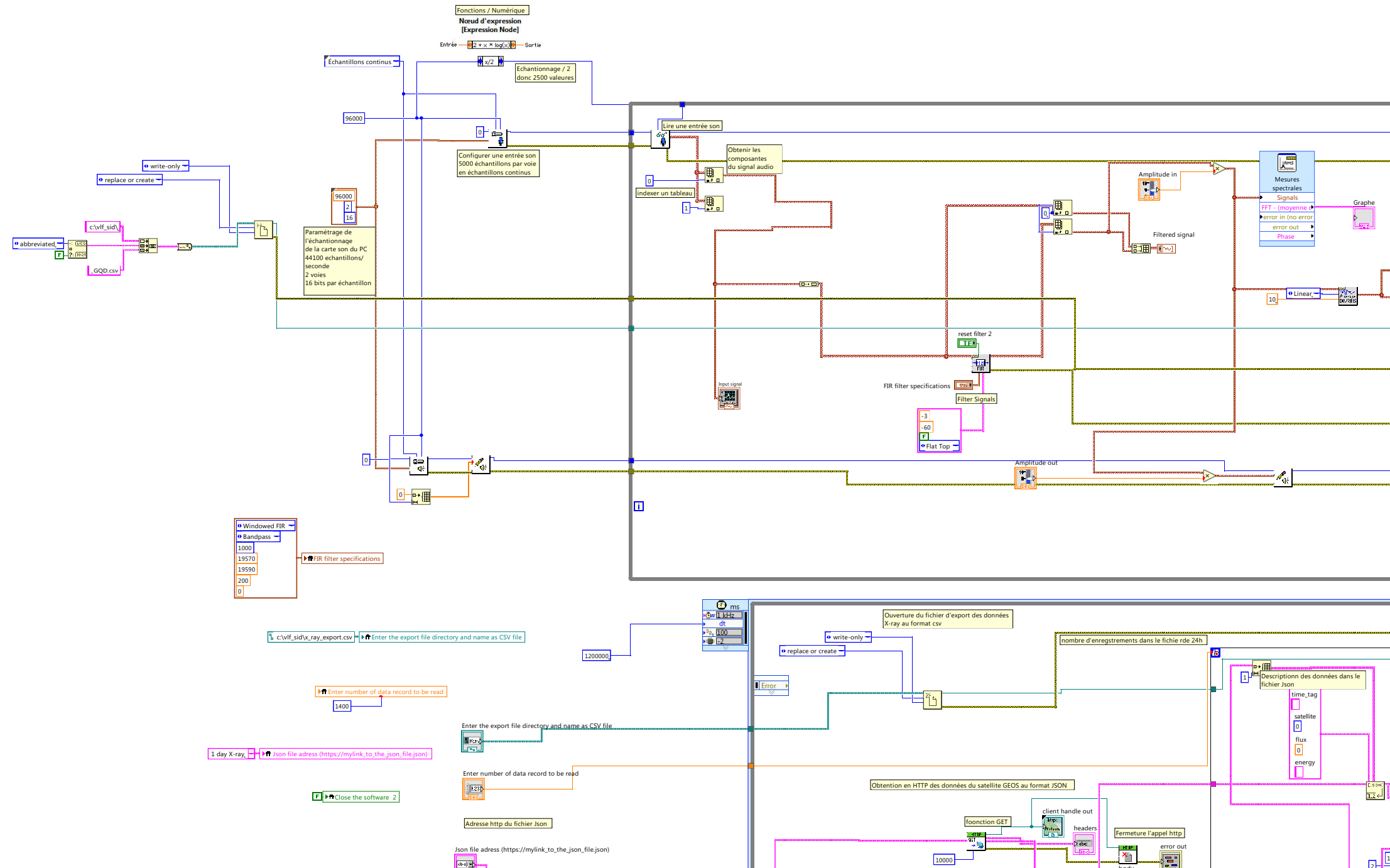
error out 3

status	code
no error	0

source

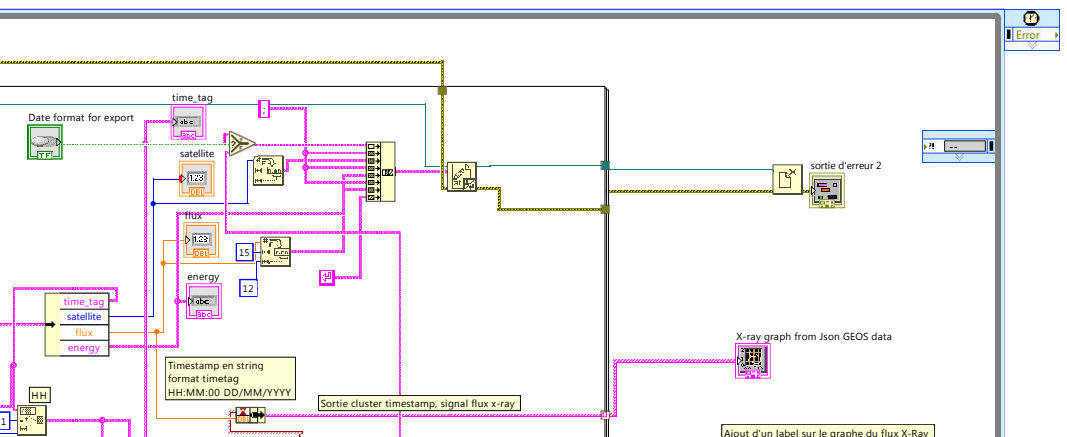
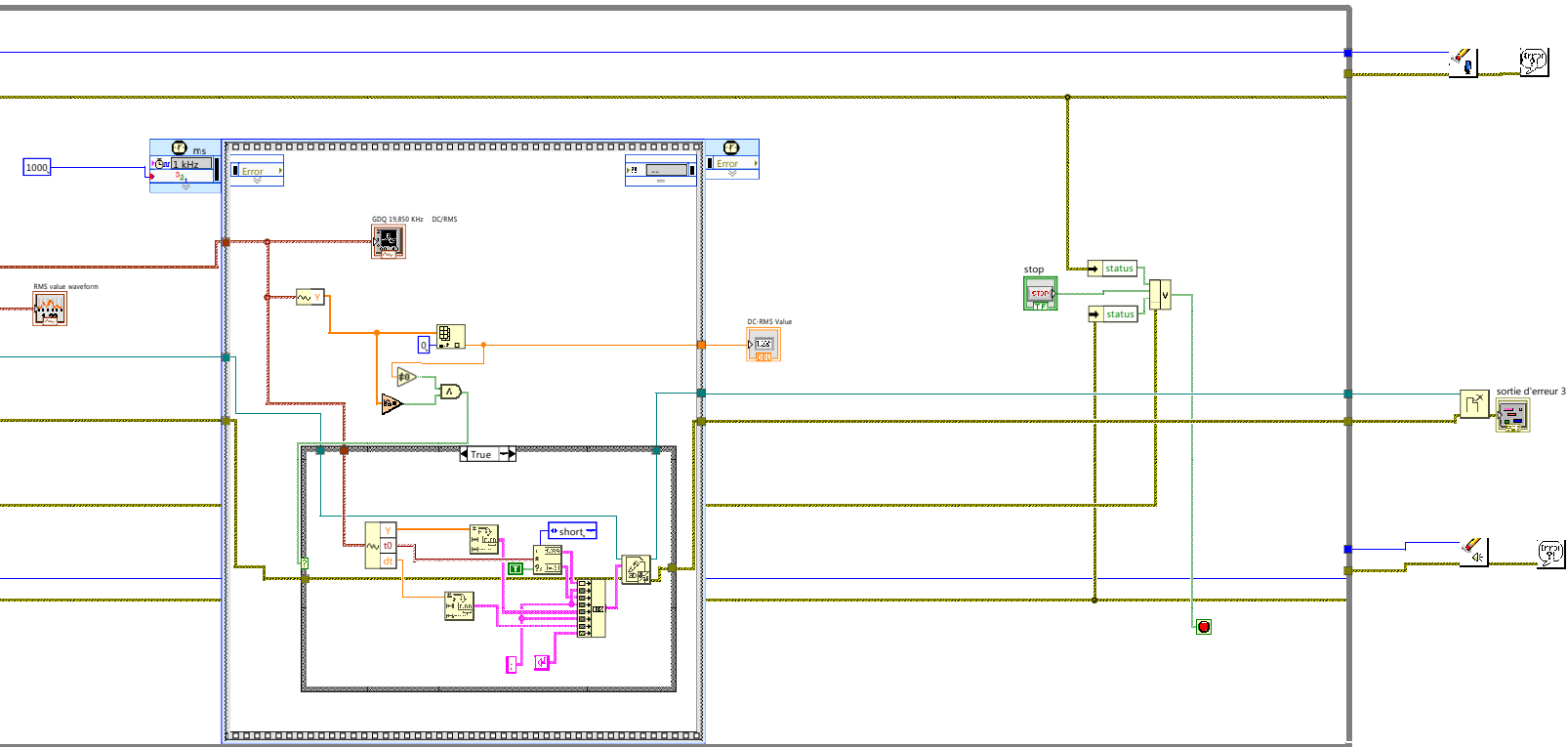


SID_GQD_FDURAND_v_test2.vi
 Z:\VLF\LabVIEW\SID_GQD_FDURAND_v_test2.vi
 Last modified on 13/03/2021 at 04:57
 Printed on 27/03/2021 at 14:33



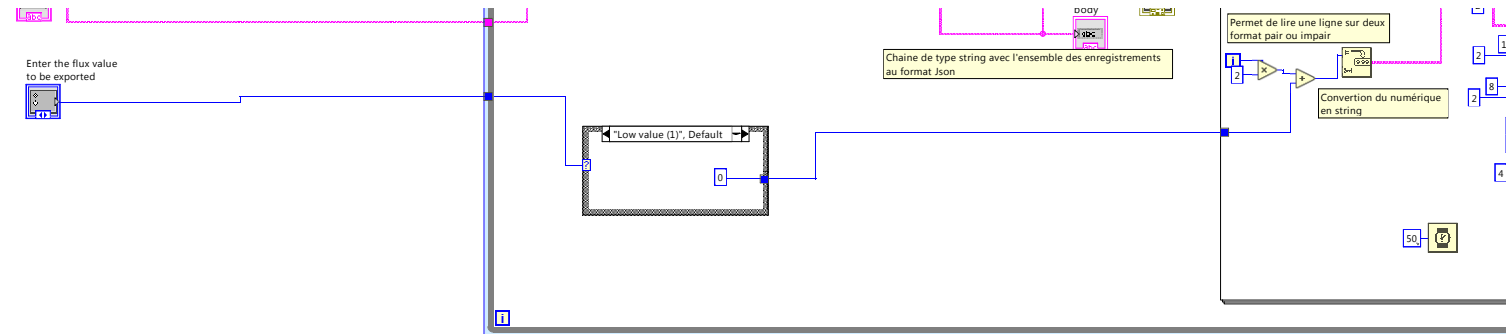


SID_GQD_FDURAND_v_test2.vi
Z:\VLF\LabVIEW\SID_GQD_FDURAND_v_test2.vi
Last modified on 13/03/2021 at 04:57
Printed on 27/03/2021 at 14:33

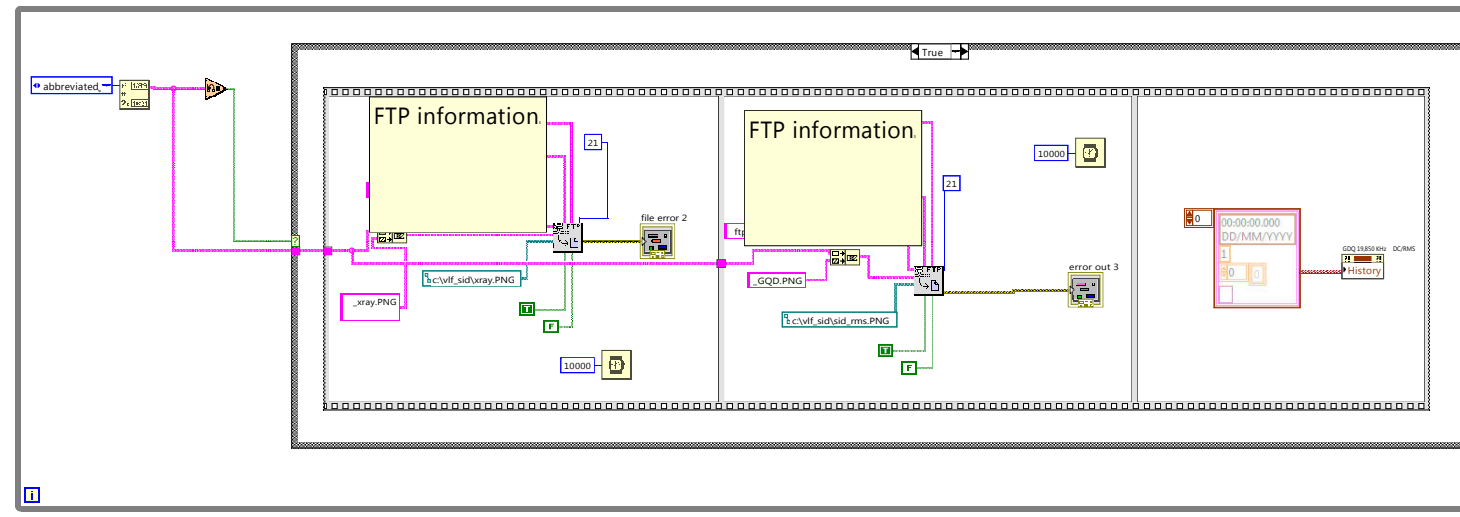
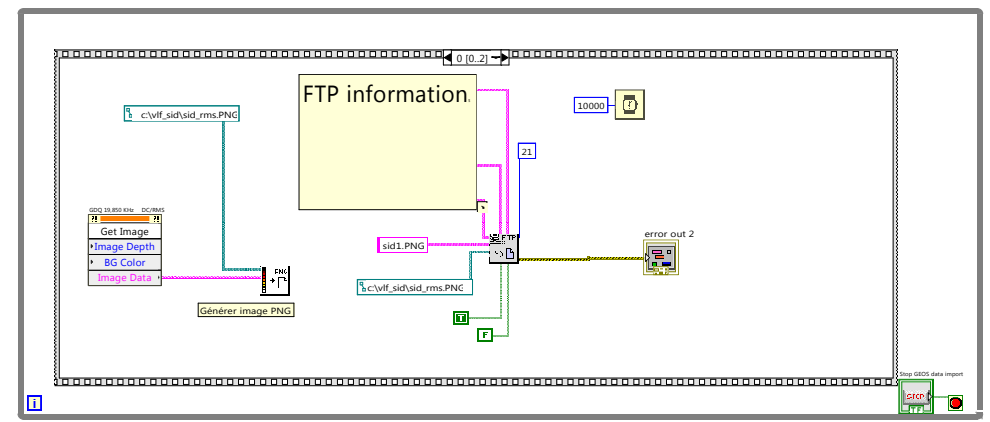




SID_GQD_FDURAND_v_test2.vi
Z:\VLF\LabVIEW\SID_GQD_FDURAND_v_test2.vi
Last modified on 13/03/2021 at 04:57
Printed on 27/03/2021 at 14:33



Export FTP des images grahe et x-ray vers le repertoire c:\vlf_sid avec un delai de 10 secondes entre chaque image surée de la procédure 1.5 minute environ





SID_GQD_FDURAND_v_test2.vi
Z:\VLF\LabVIEW\SID_GQD_FDURAND_v_test2.vi
Last modified on 13/03/2021 at 04:57
Printed on 27/03/2021 at 14:33

